

Product sheet: USB485-GISO

Date: January 2014

Rev: 1.2

Panel mount RS485 converter

The USB485-GISO is a RS485 2 wire half duplex converter for through hole panel mount.



The USB485- GISO is a 2.5kV isolated converter, intended for use in cabinets to provide easy access to internal RS485 connections through an external USB port, enabling easy RS485 monitoring / debugging with a standard PC.

The RS485 side is a 2 wire connection (D+ D- and Gnd) with screened cable (screen internally connected to RS485 side Gnd). The standard cable length is 40cm but other lengths can also be ordered.

Connections

D+ Green
D- Brown
Gnd White

Comport specs

Baudrates : 300, 600, 1200, 1800, 2400, 4800, 7200, 9600, 14400, 19200, 38400, 57600, 115200, 230400, 460800, 921600 Bps

Databits: 7, 8

Parity: None, even, odd, mark, space

Stopbits: 1, 2

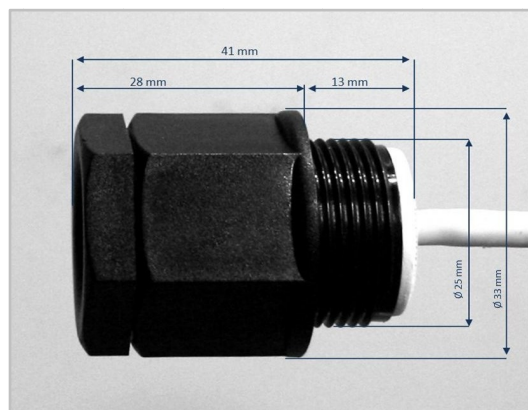
Buffers: 128 bytes Rx and 256 bytes Tx fifo.

- Modbus capable
- USB 2.0 full speed device
- Virtual comport drivers
- Win-7, Vista and XP compatible

Hardware details

- Powerful RS485, able to drive 256 nodes
- ± 15 kV ESD protection on RS485 pins
- Connection: Screened cable, various lengths.
- Speed : up to 1Mbps
- Isolation voltage: 2.500 Vrms / 1 minute
- Power : Powered from the PCs USB port
- Operating temperature : 0 to 85°C

Mechanical details



Recommended panel cut-out : \varnothing 25 mm

Commercial details

- Order : **USB485-GISO (40 cm cable)**
- Price(2014) : **EUR 75 @1**
EUR 68 @10
EUR 54 @100

For non-standard cable lengths, add EUR 2 / meter.